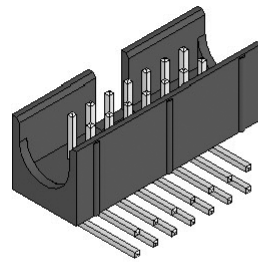


Box Header 2.54 mm 90° & 180° & SMT Series

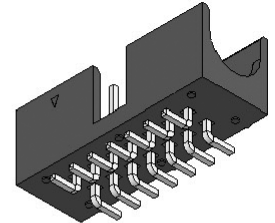
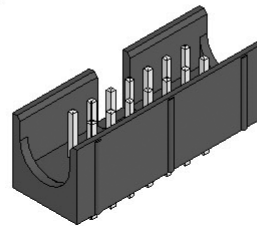
SPECIFICATIONS

Current Rating: 3 A
 Insulator Resistance: 5000 MOhm min.
 Dielectric Withstanding: AC 1000 V
 Operating Temperature: -40°C ~ +105°C
 Soldering Temperature: 260°C for 3~5sec. max
 Contact Material: Copper Alloy
 Insulator Material: Polyester, UL 94V-0
 Standard: P.B.T.
 Finish: Tin, Gold or Duplex Plated
 Standard: Gold Flash all over
 Note: Duplex Plating: Gold Plated on contact area, Tin on solder area

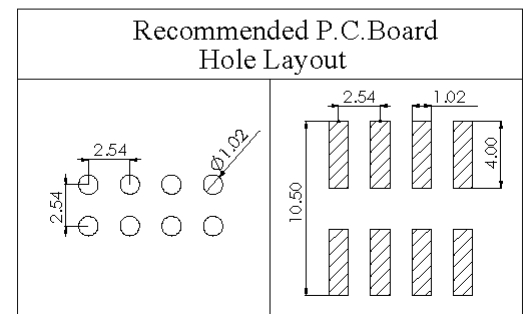
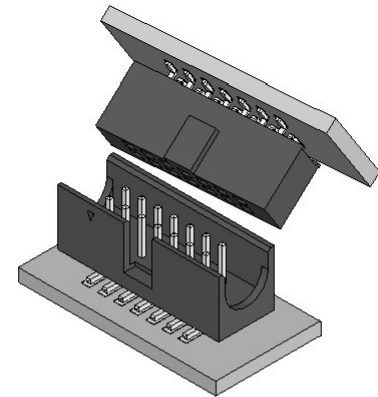
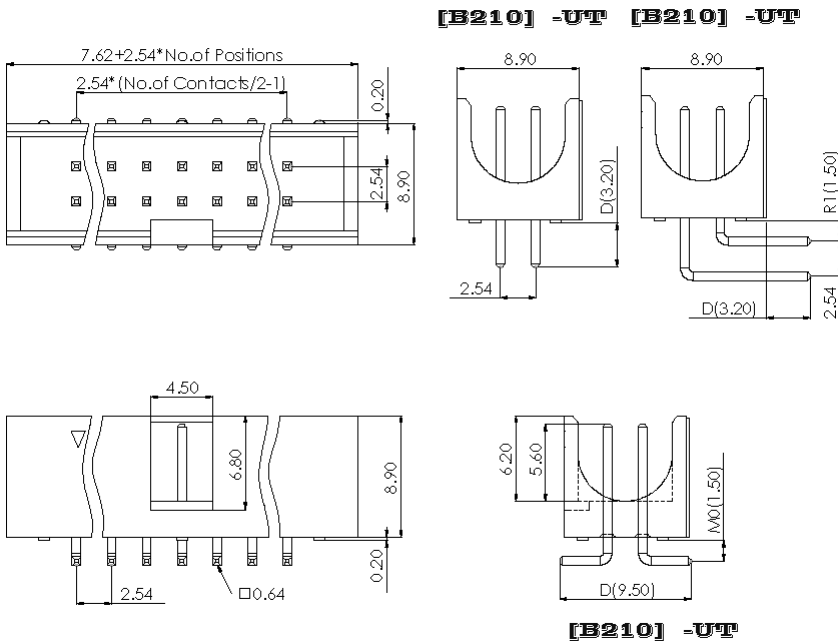
B210-R1GP-D032-XX-UT



B210-SGP-D032-XX-UT



B210-M0GN-D095-XX-UT



How to order

Unit: mm

Series	Connector Type	Contact Plating	Material	Pin Length mm	Number of Contacts	Other
BXXX	X	X	X	DXXX	XX	UT
B210: B/H 2.54 H: 9.10 Dual Row	S: Straight Type R: Right Angle R1: 1.50 M: SMT Type M0: 1.50	G: Gold Flash T: Tin Plated A: 10U" Gold B: 15U" Gold C: 20U" Gold © Duplex Plating D: Gold Flash/Tin (Standard: G)	P: PBT N: Nylon-6T	S-D D032 R-D D032 M-D D095	(06 TO 64 Contacts)	UT: U TYPE